

# 03

## BEADS

Beads offer the highest standard available on the market. The high-quality precision cutting and the clear through-hole achieve high brilliance and clarity. Rounded hole edges reduce the wear on thread and increase the durability of designs. They are available in the latest fashion colors, effects, and cuts. A wide range of colors and effects opens up endless possibilities for different combinations and designs. The main application techniques are beading, wiring, stringing, and weaving.

COLORS & EFFECTS

OPEN TO SEE COLORS & EFFECTS

COLORS

Table of colors with small image icons and text labels such as Crystal 001, White Alabaster 281, Light Silk 261, Light Peach 362, Rosaline 508, Rose Water Opal 395, Vintage Rose 319, Blush Rose 257, Light Rose 223, Rose Peach 262, Padparadscha 542, Indian Pink 289, Fireopal 237, Hyacinth 236, Light Siam 227, Rose 209, Fuchsia 502, Ruby 501, Siam 208, Burgundy 515, Amethyst 204, Cyclamen Opal 398, Purple Velvet 277, Tanzanite 539, Violet 371, Light Amethyst 212, Smoky Mauve 265, Provence Lavender 283, Light Sapphire 211, Light Azore 361, Aquamarine 202, Air Blue Opal 285, Sapphire 206, Capri Blue 243, Dark Indigo 288, Montana 207, Turquoise 267, Light Turquoise 263, Blue Zircon 229, Indicolite 379, Indian Sapphire 217, Denim Blue 266, Black Diamond 215, Pacific Opal 390, Chrysolite Opal 294, Chrysolite 238, Peridot 214, Erinite 360, Fern Green 291, Emerald 205, Olivine 228, Greige 284, Light Grey Opal 383, Light Colorado Topaz 246, Jonquil 213, Citrine 249, Yellow Opal 231, Light Topaz 226, Sunflower 292, Topaz 203, Tangerine 259, Light Smoked Topaz 221, Smoked Topaz 220

Table of colors with small image icons and text labels such as Smoky Quartz 225, Mocca 286, Graphite 253, Jet 280

EFFECTS

Table of effects with small image icons and text labels such as Crystal Silver Shade 001 SSHA, Crystal Moonlight 001 MOL, Crystal Aurore Boreale 001 AB, Crystal Aurore Boreale 2x 001 AB2, Crystal Aurore Boreale FC 001 ABSAT, Crystal Aurore Boreale Satin\* 001 ABSAT, Crystal Luminous Green\* 001 LUMG, Crystal Golden Shadow 001 GSHA, Crystal Metallic Sunshine\* 001 METSH, Crystal Metallic Sunshine 2x\* 001 METSH2, Crystal Rose Gold\* 001 ROGL, Crystal Rose Gold 2x\* 001 ROGL2, Crystal Copper\* 001 COP, Crystal Astral Pink 001 API, Crystal Red Magma\* 001 REDM, Crystal Antique Pink\* 001 ANTP, Crystal Paradise Shine 001 PARSH, Crystal Paradise Shine 2x 001 PARSH2, Crystal Vitrail Medium\* 001 VM, Crystal Lilac Shadow 001 LISH, Crystal Heliotrope\* 001 HEL, Crystal Metallic Blue 2x\* 001 METBL2, Crystal Blue Shade\* 001 BLSH, Crystal Scarabaeus Green\*/\*\*\* 001 SCGR, Crystal Rainbow Dark 2x\* 001 RABDK2, Crystal Iridescent Green\* 001 IRIG, Crystal Iridescent Green 2x\* 001 IRIG2, Crystal Dorado\* 001 DOR

Table of effects with small image icons and text labels such as Crystal Dorado 2x\* 001 DOR2, Crystal Metallic Light Gold 2x\* 001 MLGLD2, Crystal Bronze Shade\* 001 BRSH, Crystal Satin\* 001 SAT, Crystal Light Chrome\* 001 LTCH, Crystal Light Chrome 2x\* 001 LTCH2, Crystal Comet Argent Light\* 001 CAL, Crystal Silver Night\* 001 SINI, Crystal Silver Night 2x\* 001 SINI2, Jet Hematite\* 280 HEM, Jet Hematite 2x\* 280 HEM2

FULL COATING

Table of full coating effects with small image icons and text labels such as Crystal Comet Argent Light FC\* 001 CAL FC, Crystal Aurore Boreale FC 001 AB FC, Crystal Astral Pink FC 001 API FC, Crystal Iridescent Green FC\* 001 IRIG FC, Crystal Bronze Shade FC\* 001 BRSH FC, Crystal Metallic Blue FC\* 001 METBL FC

CRYSTAL PATINA

Table of crystal patina effects with small image icons and text labels such as Crystal White Patina 001 WHIPA, Crystal Rose Patina\* 001 ROSPA, Crystal Silver Patina\* 001 SILPA, Crystal Gold Patina\* 001 GOLPA, Crystal Black Patina\* 001 BLAPA

NUMERICAL ORDER

Table with 5 columns listing color codes and names in numerical order from 001 to 542, including items like Crystal, Crystal Aurore Boreale, Crystal Metallic Light Gold 2x\*, Crystal Moonlight, Crystal Paradise Shine, Crystal Rainbow Dark 2x\*, Crystal Red Magma\*, Crystal Rose Gold 2x\*, Crystal Satin\*, Crystal Scarabaeus Green\*/\*\*\*, Crystal Silver Night\*, Crystal Silver Night 2x\*, Crystal Silver Patina\*, Crystal Silver Shade, Crystal Vitrail Medium\*, Crystal White Patina, Aquamarine, Topaz, Amethyst, Emerald, Sapphire, Montana, Siam, Rose, Light Sapphire, Jonquil, Peridot, Black Diamond, Indian Sapphire, Smoked Topaz, Light Smoked Topaz, Light Rose, Smoky Quartz, Light Topaz, Light Siam, Olivine, Blue Zircon, Yellow Opal, White Opal, Hyacinth, Fireopal, Chrysolite, Chrysolite Opal, Blush Rose, Tangerine, Light Silk, Rose Peach, Light Turquoise, Smoky Mauve, Denim Blue, Turquoise, Purple Velvet, Jet, Jet Hematite\*, Jet Hematite 2x\*, White Alabaster, Provence Lavender, Greige, Air Blue Opal, Mocca, Dark Indigo, Indian Pink, Fern Green, Sunflower, Chrysolite Opal, Vintage Rose, Erinite, Light Azore, Light Peach, Violet, Indicolite, Light Colorado Topaz, Citrine, Pacific Opal, Graphite, Blush Rose, Silk, Rose Water Opal, Cyclamen Opal, Ruby, Fuchsia, Rosaline, Burgundy, Tanzanite, Padparadscha

ALPHABETICAL ORDER

Table with 5 columns listing color codes and names in alphabetical order, including Air Blue Opal (285), Amethyst (204), Aquamarine (202), Black Diamond (215), Blue Zircon (229), Blush Rose (257), Burgundy (515), Capri Blue (243), Chrysolite (238), Chrysolite Opal (294), Citrine (249), Crystal (001), Crystal Antique Pink (001 ANTP)\*, Crystal Astral Pink (001 API), Crystal Aurore Boreale (001 AB), Crystal Aurore Boreale 2x (001 AB2), Crystal Aurore Boreale FC (001 AB FC), Crystal Aurore Boreale Satin (001 ABSAT)\*, Crystal Black Patina (001 BLAPA)\*, Crystal Blue Shade (001 BLSH)\*, Crystal Bronze Shade (001 BRSH)\*, Crystal Bronze Shade FC (001 BRSH FC)\*, Crystal Comet Argent Light (001 CAL)\*, Crystal Comet Argent Light FC (001 CAL FC)\*, Crystal Copper (001 COP)\*, Crystal Dorado (001 DOR)\*, Crystal Dorado 2x (001 DOR2)\*, Crystal Gold Patina (001 GOLPA)\*, Crystal Golden Shadow (001 GSHA), Crystal Heliotrope (001 HEL)\*, Crystal Iridescent Green (001 IRIG)\*, Crystal Iridescent Green 2x (001 IRIG2)\*, Crystal Iridescent Green FC (001 IRIG FC)\*, Crystal Light Chrome (001 LTCH)\*, Crystal Light Chrome 2x (001 LTCH2)\*, Crystal Lilac Shadow (001 LISH), Crystal Luminous Green (001 LUMG)\*, Crystal Metallic Blue 2x (001 METBL2)\*, Crystal Metallic Blue FC (001 METBL2 FC)\*, Crystal Metallic Light Gold 2x (001 MLGLD2)\*, Crystal Metallic Sunshine (001 METSH)\*, Crystal Metallic Sunshine 2x (001 METSH2)\*, Crystal Moonlight (001 MOL), Crystal Paradise Shine (001 PARSH), Crystal Paradise Shine 2x (001 PARSH2), Crystal Rainbow Dark 2x (001 RABDK)\*, Crystal Red Magma (001 REDM)\*, Crystal Rose Gold (001 ROGL)\*, Crystal Rose Gold 2x (001 ROGL2)\*, Crystal Rose Patina (001 ROSPA)\*, Crystal Satin (001 SAT)\*, Crystal Scarabaeus Green (001 SCGR)\*, Crystal Silver Night (001 SINI)\*, Crystal Silver Night 2x (001 SINI2)\*, Crystal Silver Patina (001 SILPA)\*, Crystal Silver Shade (001 SSHA), Crystal Vitrail Medium (001 VM)\*, Crystal White Patina (001 WHIPA), Dark Indigo (288), Denim Blue (266), Emerald (205), Erinite (360), Fireopal (237), Fern Green (291), Fuchsia (502), Greige (284), Hyacinth (236), Indian Pink (289), Indian Sapphire (217), Indicolite (379), Jet (280), Jet Hematite (280 HEM)\*, Jet Hematite 2x (280 HEM2)\*, Jonquil (213), Light Amethyst (212), Light Azore (361), Light Colorado Topaz (246), Light Grey Opal (383), Light Peach (362), Light Rose (223), Light Sapphire (211), Light Siam (227), Light Silk (261), Light Smoked Topaz (221), Light Topaz (226), Light Turquoise (263), Mocca (286), Montana (207), Olivine (228), Pacific Opal (390), Padparadscha (542), Peridot (214), Provence Lavender (283), Purple Velvet (277), Ruby (501), Sapphine (206), Siam (208), Silk (391), Smoked Topaz (220), Smoky Mauve (265), Smoky Quartz (225), Sunflower (292), Tangerine (259), Tanzanite (539), Topaz (203), Turquoise (267), Vintage Rose (319), Violet (371), White Alabaster (281), White Opal (234), Yellow Opal (231)

For details on available colors and effects for each article within the product groups, please see the product matrix of the respective item in the Collection 2016. For color and effect samples, please see the corresponding color chart.

Classic Colors/Effects: This color range offers a wide choice of traditional Swarovski crystal colors and effects.

Exclusive Colors/Effects: This color range is offered exclusively by Swarovski.

The plating resistance of effects is tested according to Swarovski's plating guidelines (SWAROVSKI.COM/PROFESSIONAL). Customers are advised to carry out their own tests if customers' plating parameters diverge from Swarovski plating guidelines.

\* Crystals are not resistant to plating and similar processing. \*\*\* designed by Jean Paul Gauthier

Colors and effects can appear different when illuminated with different light sources. Swarovski uses standard light source D50 for color decision and comparison. Slight changes in shades are unavoidable. Colors may vary according to cut and foiling.

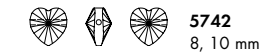
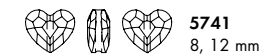
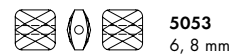
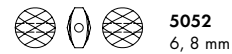
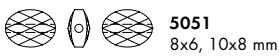
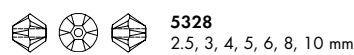
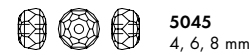
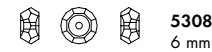
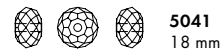
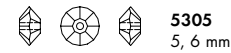
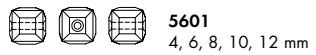
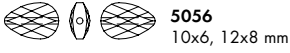
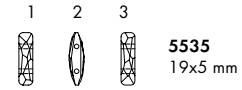
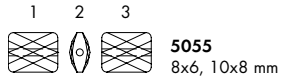
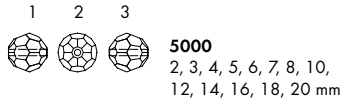
The composition of Advanced Crystal is compliant with regulatory industry norms and laws regarding the restriction or prohibition of certain substances in the most relevant segments of our customers. Please note that the compliance of the crystal colors Citrine, Fireopal, Hyacinth, Light Siam, Siam and Yellow Opal vary to certain industry regulations. Those regulations are indicated with an (\*) in the compliance overview. Indian Siam (option to Lt. Siam) and Tangerine (option to Sun) conform to all CLEAR-lists.

For further information please visit swarovski.com/professional



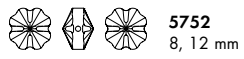
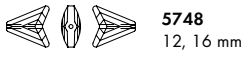
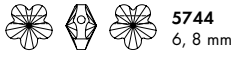
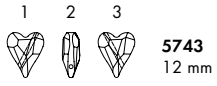
# BEADS

## SUMMARY



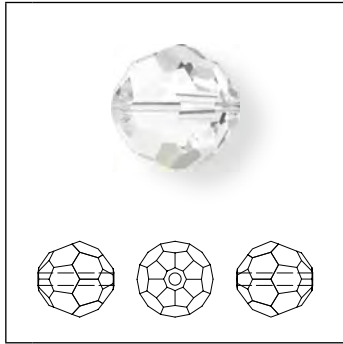
# BEADS

## SUMMARY



# BEADS

## 5000



Size	2 mm	3 mm	4 mm	5 mm	6 mm	7 mm	8 mm	10 mm	12 mm	14 mm	16 mm	18 mm	20 mm
------	------	------	------	------	------	------	------	-------	-------	-------	-------	-------	-------

### Crystal

Crystal (001)

### Colors

#### Plain Colors

- Amethyst (204)
- Aquamarine (202)
- Black Diamond (215)
- Blue Zircon (229)
- Blush Rose (257)
- Capri Blue (243)
- Chrysolite (238)
- Dark Indigo (288)
- Denim Blue (266)
- Emerald (205)
- Erinite (360)
- Fern Green (291)
- Fireopal (237)
- Fuchsia (502)
- Graphite (253)
- Greige (284)
- Indian Pink (289)
- Indian Sapphire (217)
- Indicolite (379)
- Jet (280)
- Jonquil (213)
- Light Amethyst (212)
- Light Azure (361)
- Light Colorado Topaz (246)
- Light Rose (223)
- Light Sapphire (211)
- Light Siam (227)
- Light Silk (261)
- Light Smoked Topaz (221)
- Light Topaz (226)
- Light Turquoise (263)
- Montana (207)
- Olivine (228)
- Padparadscha (542)
- Peridot (214)
- Purple Velvet (277)
- Rose (209)

Crystal (001)	■	■	■	■	■	■	■	■	■	■	■	■	■
Amethyst (204)		■	■		■		■	■					
Aquamarine (202)		■	■		■		■	■					
Black Diamond (215)		■	■		■		■	■					
Blue Zircon (229)			■		■		■						
Blush Rose (257)		■	■		■		■						
Capri Blue (243)			■		■		■	■					
Chrysolite (238)			■		■		■	■					
Dark Indigo (288)			■		■		■	■					
Denim Blue (266)			■		■		■	■					
Emerald (205)		■			■		■						
Erinite (360)			■		■		■	■					
Fern Green (291)			■		■		■	■					
Fireopal (237)			■		■		■	■					
Fuchsia (502)	■	■	■		■		■	■					
Graphite (253)			■		■		■	■					
Greige (284)			■		■		■	■					
Indian Pink (289)			■		■		■	■					
Indian Sapphire (217)			■		■		■	■					
Indicolite (379)			■		■		■	■					
Jet (280)	■	■	■	■	■		■	■	■	■			
Jonquil (213)			■		■		■	■					
Light Amethyst (212)			■		■		■	■					
Light Azure (361)			■		■		■	■					
Light Colorado Topaz (246)		■	■		■		■	■					
Light Rose (223)		■	■		■		■	■					
Light Sapphire (211)			■		■		■	■					
Light Siam (227)		■	■		■		■	■					
Light Silk (261)			■		■		■	■					
Light Smoked Topaz (221)			■		■		■	■					
Light Topaz (226)			■		■		■	■					
Light Turquoise (263)		■	■		■		■	■					
Montana (207)			■		■		■	■					
Olivine (228)			■		■		■	■					
Padparadscha (542)			■		■		■	■					
Peridot (214)			■		■		■	■					
Purple Velvet (277)			■		■		■	■					
Rose (209)			■		■		■	■					



# BEADS

03 BEADS

	5000													
	Size	2 mm	3 mm	4 mm	5 mm	6 mm	7 mm	8 mm	10 mm	12 mm	14 mm	16 mm	18 mm	20 mm
Rose Peach (262)				■		■		■						
Sapphire (206)				■		■		■						
Siam (208)			■	■		■		■	■					
Silk (391)				■		■		■						
Smoked Topaz (220)				■		■		■						
Smoky Mauve (265)			■	■		■		■						
Tangerine (259)			■	■		■		■						
Tanzanite (539)				■		■		■						
Topaz (203)				■		■		■						
Turquoise (267)				■		■		■						
Vintage Rose (319)				■		■		■						
Violet (371)				■		■		■						
White Alabaster (281)				■		■		■						
<b>Opal Colors</b>														
Cyclamen Opal (398)				■		■		■						
Pacific Opal (390)				■		■		■						
White Opal (234)			■	■		■		■						
Yellow Opal (231)				■		■		■						
<b>Crystal Effects</b>														
<b>Transparent Effects</b>														
Crystal AB (001 AB)	■	■	■	■	■	■	■	■	■	■	■	■	■	■
Crystal Antique Pink (001 ANTP)				■		■		■						
Crystal Blue Shade (001 BLSH)			■	■		■		■	■					
Crystal Bronze Shade (001 BRSH)			■	■		■		■	■					
Crystal Copper (001 COP)				■		■		■						
Crystal Golden Shadow (001 GSHA)	■	■	■	■		■		■	■	■				
Crystal Lilac Shadow (001 LISH)				■		■		■						
Crystal Luminous Green (001 LUMG)				■		■		■						
Crystal Moonlight (001 MOL)	■		■	■		■		■	■					
Crystal Paradise Shine (001 PARSH)			■	■		■		■	■					
Crystal Satin (001 SAT)				■		■		■						
Crystal Silver Night (001 SINI)			■	■		■		■						
Crystal Silver Shade (001 SSHA)	■	■	■	■		■		■						
Crystal Vitrail Medium (001 VM)				■		■		■						
<b>Metallic Effects</b>														
Crystal Dorado (001 DOR)				■		■		■						
Crystal Iridescent Green (001 IRIG)			■	■		■		■	■					
Crystal Light Chrome (001 LTCH)			■	■		■		■						
Crystal Metallic Light Gold 2x (001 MLG2)	■		■	■		■		■						
Crystal Metallic Sunshine (001 METSH)			■	■		■		■	■					

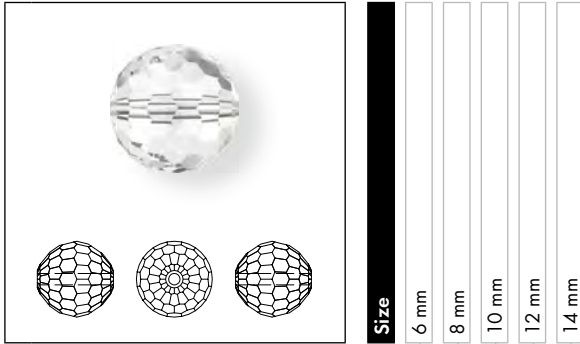
# BEADS

5000		Size	2 mm	3 mm	4 mm	5 mm	6 mm	7 mm	8 mm	10 mm	12 mm	14 mm	16 mm	18 mm	20 mm
	Crystal Rose Gold (001 ROGL)			■	■		■		■						
	Crystal Scarabaeus Green*** (001 SCGR)				■		■		■						
<b>Full Coating</b>															
	Crystal AB FC (001 AB FC)				■		■		■						
	Crystal Astral Pink FC (001 API FC)				■		■		■						
	Crystal Bronze Shade FC (001 BRSH FC)				■		■		■						
	Crystal Comet Argent Light FC (001 CAL FC)				■		■		■						
	Crystal Iridescent Green FC (001 IRIG FC)				■		■		■						
	Crystal Metallic Blue FC (001 METBL FC)				■		■		■						
<b>Color Effects</b>															
<b>Transparent Effects</b>															
	Amethyst AB (204 AB)				■		■		■						
	Aquamarine AB (202 AB)				■		■		■						
	Jet AB (280 AB)				■		■		■						
	Light Rose AB (223 AB)				■		■		■						
	Light Siam AB (227 AB)				■		■		■						
	Rose AB (209 AB)				■		■		■						
<b>Metallic Effects</b>															
	Jet Hematite (280 HEM)		■	■		■		■							
	Jet Hematite 2x (280 HEM2)		■	■		■		■							

\*\*\* designed by Jean Paul Gaultier

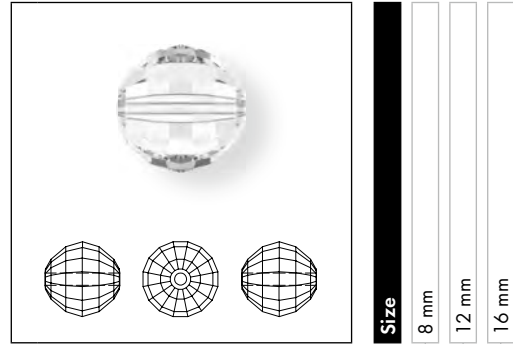
BEADS

5003



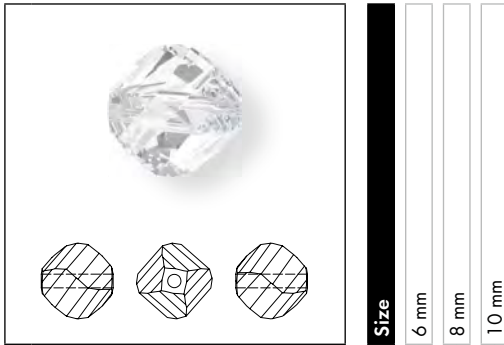
Crystal	6 mm	8 mm	10 mm	12 mm	14 mm
Crystal (001)	■	■	■	■	■
<b>Crystal Effects</b>					
<b>Transparent Effects</b>					
Crystal AB (001 AB)	■	■	■	■	■

5005 Chessboard Bead



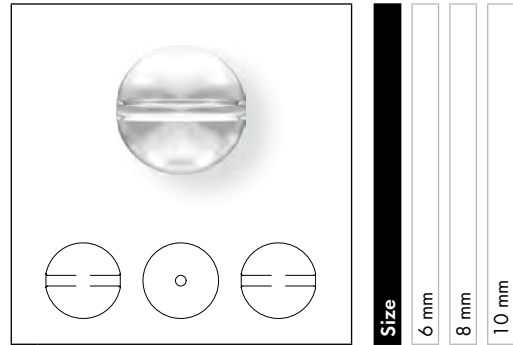
Crystal	8 mm	12 mm	16 mm
Crystal (001)	■	■	■
<b>Crystal Effects</b>			
<b>Transparent Effects</b>			
Crystal AB (001 AB)	■	■	■
Crystal Golden Shadow (001 GSHA)	■	■	■

5020 Helix Bead



Crystal	6 mm	8 mm	10 mm
Crystal (001)	■	■	■
<b>Crystal Effects</b>			
<b>Transparent Effects</b>			
Crystal AB (001 AB)	■	■	■
Crystal Golden Shadow (001 GSHA)	■	■	■

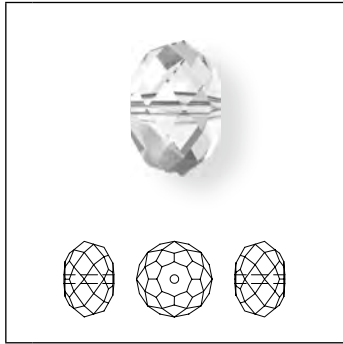
5028/4 Crystal Globe Bead



Crystal	6 mm	8 mm	10 mm
Crystal (001)	■	■	■
<b>Crystal Effects</b>			
<b>Transparent Effects</b>			
Crystal AB (001 AB)	■	■	■
Crystal Antique Pink (001 ANTP)	■	■	■
Crystal Blue Shade (001 BLSH)	■	■	■
Crystal Golden Shadow (001 GSHA)	■	■	■
Crystal Paradise Shine (001 PARSH)	■	■	■
<b>Metallic Effects</b>			
Crystal Metallic Sunshine (001 METSH)	■	■	■
Crystal Iridescent Green (001 IRIG)	■	■	■

# BEADS

## 5040 Briolette Bead



Size	4 mm	6 mm	8 mm	12 mm	18 mm
------	------	------	------	-------	-------

### Crystal

Crystal (001)	■	■	■	■	■
---------------	---	---	---	---	---

### Colors

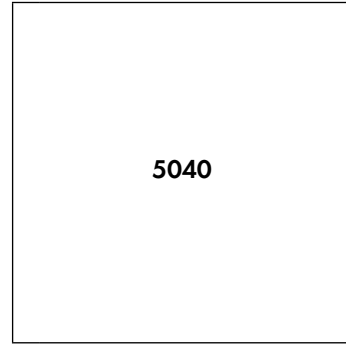
#### Plain Colors

Amethyst (204)	■	■	■		
Aquamarine (202)		■	■		
Black Diamond (215)		■	■		
Blush Rose (257)	■	■	■		
Denim Blue (266)		■	■		
Erinite (360)		■	■		
Indicolite (379)		■	■		
Jet (280)	■	■	■		
Jonquil (213)		■	■		
Light Rose (223)	■	■	■		
Light Siam (227)	■	■	■		
Light Turquoise (263)	■	■	■		
Padparadscha (542)		■	■		
Peridot (214)		■	■		
Purple Velvet (277)		■	■		
Siam (208)	■	■	■		
Silk (391)		■	■		
Smoky Mauve (265)	■	■	■		
Tangerine (259)	■	■	■		
Tanzanite (539)		■	■		
Vintage Rose (319)		■	■		
Violet (371)		■	■		

### Crystal Effects

#### Transparent Effects

Crystal AB (001 AB)	■	■	■	■	■
Crystal Bronze Shade (001 BRSH)	■	■	■		
Crystal Copper (001 COP)	■	■	■		
Crystal Golden Shadow (001 GSHA)	■	■	■	■	
Crystal Moonlight (001 MOL)		■	■		
Crystal Paradise Shine (001 PARSH)	■	■	■		
Crystal Red Magma (001 REDM)	■	■	■	■	
Crystal Silver Night (001 SINI)	■	■	■	■	
Crystal Silver Shade (001 SSHA)	■	■	■	■	



Size	4 mm	6 mm	8 mm	12 mm	18 mm
------	------	------	------	-------	-------

### Metallic Effects

Crystal Iridescent Green (001 IRIG)	■	■	■		
Crystal Light Chrome (001 LTCH)		■	■	■	■
Crystal Metallic Sunshine (001 METSH)	■	■	■		
Crystal Rainbow Dark 2x (001 RBDK2)		■	■		
Crystal Scarabaeus Green*** (001 SCGR)	■	■	■		

\*\*\* designed by Jean Paul Gaultier

BEADS

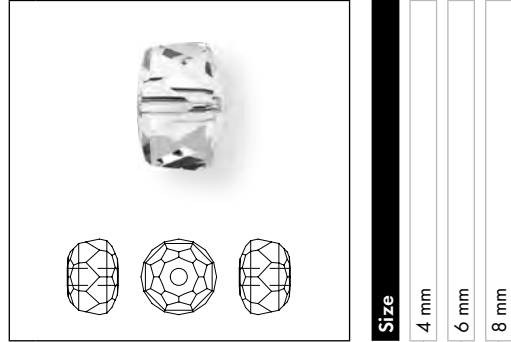
5041 Briolette Bead (large hole)



Size  
18 mm

- Crystal**
- Crystal (001)
- Crystal Effects**
- Transparent Effects**
- Crystal AB (001 AB)
- Crystal Golden Shadow (001 GSHA)

5045 Rondelle Bead



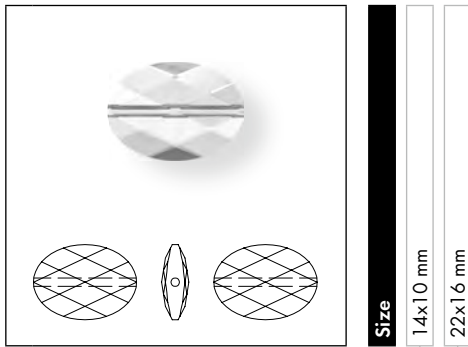
Size  
4 mm  
6 mm  
8 mm

- Crystal**
- Crystal (001)
- Colors**
- Plain Colors**
- Denim Blue (266)
- Emerald (205)
- Fuchsia (502)
- Jet (280)
- Smoky Quartz (225)
- Opal Colors**
- Rose Water Opal (395)
- White Opal (234)
- Crystal Effects**
- Transparent Effects**
- Crystal AB (001 AB)
- Crystal Paradise Shine (001 PARSH)
- Crystal Silver Night (001 SINI)
- Metallic Effects**
- Crystal Light Chrome (001 LTCH)
- Crystal Metallic Sunshine (001 METSH)
- Crystal Scarabaeus Green\*\*\* (001 SCGR)

\*\*\* designed by Jean Paul Gaultier

# BEADS

## 5050 Oval Bead



Size

14x10 mm

22x16 mm

### Crystal

Crystal (001)

### Colors

#### Plain Colors

Jet (280)

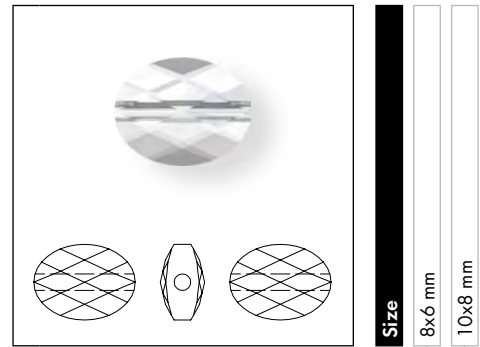
### Crystal Effects

#### Transparent Effects

Crystal AB (001 AB)

Crystal Golden Shadow (001 GSHA)

## 5051 Mini Oval Bead



Size

8x6 mm

10x8 mm

### Crystal

Crystal (001)

### Colors

#### Plain Colors

Amethyst (204)

Aquamarine (202)

Black Diamond (215)

Emerald (205)

Fern Green (291)

Indicolite (379)

Jet (280)

Light Silk (261)

Light Turquoise (263)

Montana (207)

Rose (209)

Siam (208)

Smoked Topaz (220)

Sunflower (292)

Tangerine (259)

Tanzanite (539)

### Crystal Effects

#### Transparent Effects

Crystal AB (001 AB)

Crystal Antique Pink (001 ANTP)

Crystal Blue Shade (001 BLSH)

Crystal Bronze Shade (001 BRSH)

Crystal Golden Shadow (001 GSHA)

Crystal Lilac Shadow (001 LISH)

Crystal Paradise Shine (001 PARSH)

Crystal Red Magma (001 REDM)

Crystal Silver Night (001 SINI)

Crystal Silver Shade (001 SSHA)

### Metallic Effects

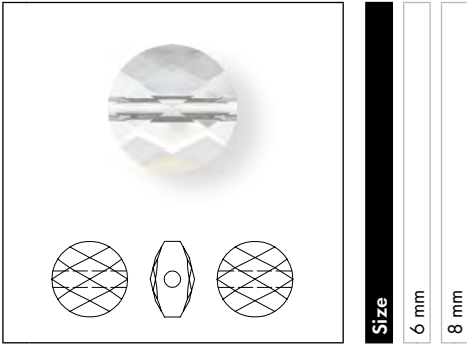
Crystal Iridescent Green (001 IRIG)

Crystal Rose Gold (001 ROGL)

Crystal Rose Gold 2x (001 ROGL2)

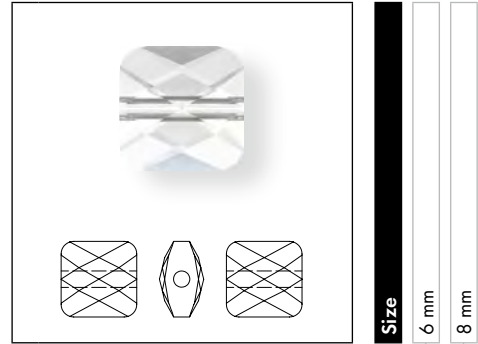
# BEADS

## 5052 Mini Round Bead



Crystal	
Crystal (001)	
Colors	
Plain Colors	
Amethyst (204)	
Aquamarine (202)	
Black Diamond (215)	
Emerald (205)	
Fern Green (291)	
Indicolite (379)	
Jet (280)	
Light Silk (261)	
Light Turquoise (263)	
Montana (207)	
Rose (209)	
Siam (208)	
Smoked Topaz (220)	
Sunflower (292)	
Tangerine (259)	
Tanzanite (539)	
Crystal Effects	
Transparent Effects	
Crystal AB (001 AB)	
Crystal Antique Pink (001 ANTP)	
Crystal Blue Shade (001 BLSH)	
Crystal Bronze Shade (001 BRSH)	
Crystal Golden Shadow (001 GSHA)	
Crystal Lilac Shadow (001 LISH)	
Crystal Paradise Shine (001 PARSH)	
Crystal Red Magma (001 REDM)	
Crystal Silver Night (001 SINI)	
Crystal Silver Shade (001 SSHA)	
Metallic Effects	
Crystal Iridescent Green (001 IRIG)	
Crystal Rose Gold (001 ROGL)	
Crystal Rose Gold 2x (001 ROGL2)	

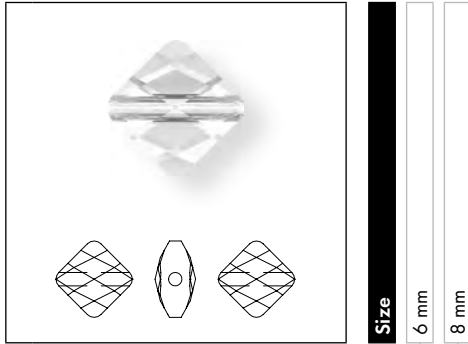
## 5053 Mini Square Bead



Crystal	
Crystal (001)	
Colors	
Plain Colors	
Amethyst (204)	
Aquamarine (202)	
Black Diamond (215)	
Emerald (205)	
Fern Green (291)	
Indicolite (379)	
Jet (280)	
Light Silk (261)	
Light Turquoise (263)	
Montana (207)	
Rose (209)	
Siam (208)	
Smoked Topaz (220)	
Sunflower (292)	
Tangerine (259)	
Tanzanite (539)	
Crystal Effects	
Transparent Effects	
Crystal AB (001 AB)	
Crystal Antique Pink (001 ANTP)	
Crystal Blue Shade (001 BLSH)	
Crystal Bronze Shade (001 BRSH)	
Crystal Golden Shadow (001 GSHA)	
Crystal Lilac Shadow (001 LISH)	
Crystal Paradise Shine (001 PARSH)	
Crystal Red Magma (001 REDM)	
Crystal Silver Night (001 SINI)	
Crystal Silver Shade (001 SSHA)	
Metallic Effects	
Crystal Iridescent Green (001 IRIG)	
Crystal Rose Gold (001 ROGL)	
Crystal Rose Gold 2x (001 ROGL2)	

# BEADS

## 5054 Mini Rhombus Bead



Size  
6 mm  
8 mm

### Crystal

Crystal (001)

### Colors

#### Plain Colors

Indicolite (379)

Jet (280)

Light Silk (261)

Light Turquoise (263)

Rose (209)

Siam (208)

Tangerine (259)

### Crystal Effects

#### Transparent Effects

Crystal AB (001 AB)

Crystal Antique Pink (001 ANTP)

Crystal Blue Shade (001 BLSH)

Crystal Bronze Shade (001 BRSH)

Crystal Golden Shadow (001 GSHA)

Crystal Lilac Shadow (001 LISH)

Crystal Paradise Shine (001 PARSH)

Crystal Red Magma (001 REDM)

Crystal Silver Night (001 SINI)

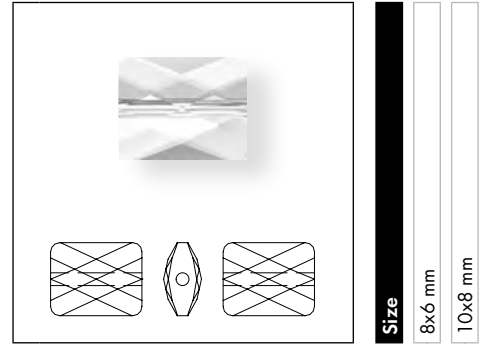
Crystal Silver Shade (001 SSHA)

#### Metallic Effects

Crystal Iridescent Green (001 IRIG)

Crystal Rose Gold (001 ROGL)

## 5055 Mini Rectangle Bead



Size  
8x6 mm  
10x8 mm

### Crystal

Crystal (001)

### Colors

#### Plain Colors

Indicolite (379)

Jet (280)

Light Silk (261)

Light Turquoise (263)

Rose (209)

Siam (208)

Tangerine (259)

### Crystal Effects

#### Transparent Effects

Crystal AB (001 AB)

Crystal Antique Pink (001 ANTP)

Crystal Blue Shade (001 BLSH)

Crystal Bronze Shade (001 BRSH)

Crystal Golden Shadow (001 GSHA)

Crystal Lilac Shadow (001 LISH)

Crystal Paradise Shine (001 PARSH)

Crystal Red Magma (001 REDM)

Crystal Silver Night (001 SINI)

Crystal Silver Shade (001 SSHA)

#### Metallic Effects

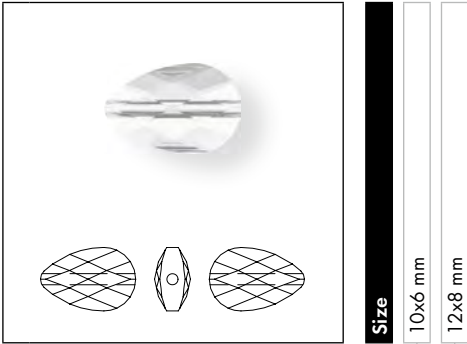
Crystal Iridescent Green (001 IRIG)

Crystal Rose Gold (001 ROGL)



# BEADS

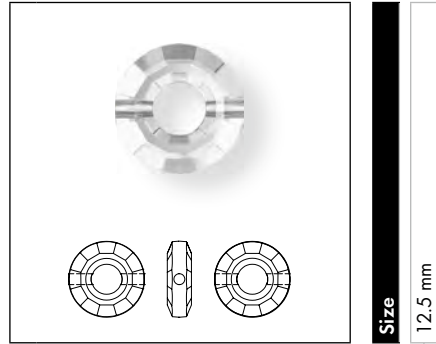
## 5056 Mini Drop Bead



Size  
10x6 mm  
12x8 mm

- Crystal**
- Crystal (001)
- Colors**
- Plain Colors**
- Indicolite (379)
- Jet (280)
- Light Silk (261)
- Light Turquoise (263)
- Rose (209)
- Siam (208)
- Tangerine (259)
- Crystal Effects**
- Transparent Effects**
- Crystal AB (001 AB)
- Crystal Antique Pink (001 ANTP)
- Crystal Blue Shade (001 BLSH)
- Crystal Bronze Shade (001 BRSH)
- Crystal Golden Shadow (001 GSHA)
- Crystal Lilac Shadow (001 LISH)
- Crystal Paradise Shine (001 PARSH)
- Crystal Red Magma (001 REDM)
- Crystal Silver Night (001 SINI)
- Crystal Silver Shade (001 SSHA)
- Metallic Effects**
- Crystal Iridescent Green (001 IRIG)
- Crystal Rose Gold (001 ROGL)

## 5139 Ring Bead

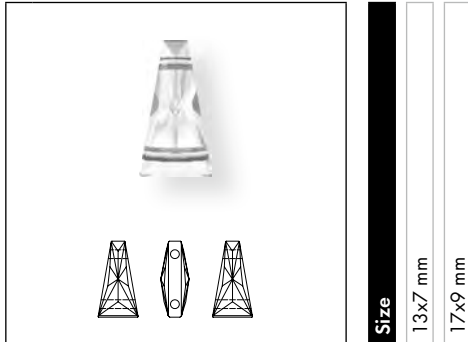


Size  
12.5 mm

- Crystal**
- Crystal (001)
- Crystal Effects**
- Transparent Effects**
- Crystal AB (001 AB)
- Crystal Golden Shadow (001 GSHA)
- Crystal Silver Night (001 SINI)

# BEADS

## 5181 Keystone Bead (two holes)



Size

13x7 mm

17x9 mm

### Crystal

Crystal (001)

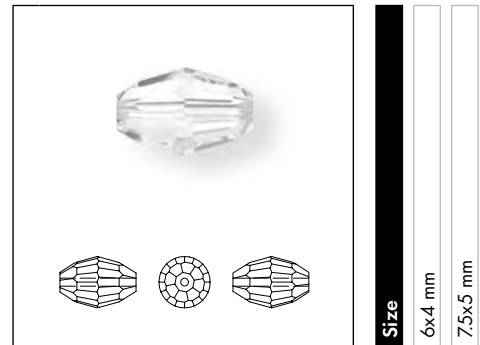
### Crystal Effects

### Transparent Effects

Crystal AB (001 AB)

Crystal Golden Shadow (001 GSHA)

## 5200



Size

6x4 mm

7.5x5 mm

### Crystal

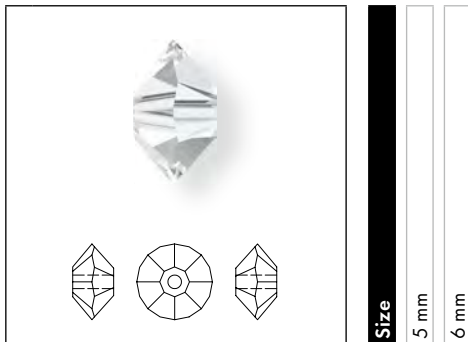
Crystal (001)

### Crystal Effects

### Transparent Effects

Crystal AB (001 AB)

## 5305



Size

5 mm

6 mm

### Crystal

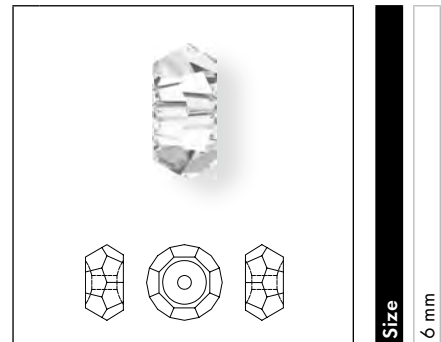
Crystal (001)

### Crystal Effects

### Transparent Effects

Crystal AB (001 AB)

## 5308



Size

6 mm

### Crystal

Crystal (001)

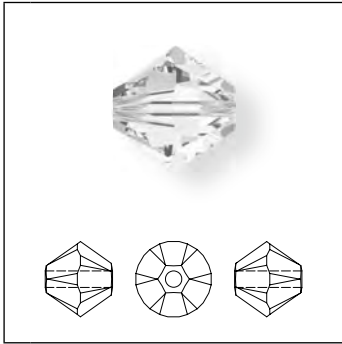
### Crystal Effects

### Transparent Effects

Crystal AB (001 AB)

# BEADS

## 5328 XILION Bead



Size	2.5 mm	3 mm	4 mm	5 mm	6 mm	8 mm	10 mm
------	--------	------	------	------	------	------	-------

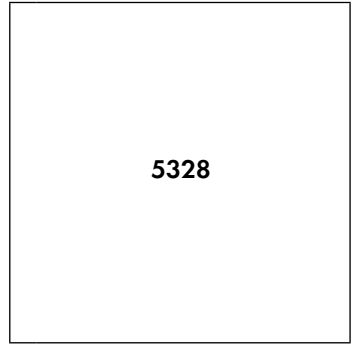
### Crystal

Crystal (001)

### Colors

#### Plain Colors

- Amethyst (204)
- Aquamarine (202)
- Black Diamond (215)
- Blue Zircon (229)
- Blush Rose (257)
- Burgundy (515)
- Capri Blue (243)
- Chrysolite (238)
- Citrine (249)
- Dark Indigo (288)
- Denim Blue (266)
- Emerald (205)
- Erinte (360)
- Fern Green (291)
- Fireopal (237)
- Fuchsia (502)
- Graphite (253)
- Greige (284)
- Hyacinth (236)
- Indian Pink (289)
- Indian Sapphire (217)
- Indicolite (379)
- Jet (280)
- Jonquil (213)
- Light Amethyst (212)
- Light Azore (361)
- Light Colorado Topaz (246)
- Light Peach (362)
- Light Rose (223)
- Light Sapphire (211)
- Light Siam (227)
- Light Silk (261)
- Light Smoked Topaz (221)
- Light Topaz (226)
- Light Turquoise (263)
- Mocca (286)
- Montana (207)



Size	2.5 mm	3 mm	4 mm	5 mm	6 mm	8 mm	10 mm
------	--------	------	------	------	------	------	-------

- Olivine (228)
  - Padparadscha (542)
  - Peridot (214)
  - Provence Lavender (283)
  - Purple Velvet (277)
  - Rosaline (508)
  - Rose (209)
  - Rose Peach (262)
  - Ruby (501)
  - Sapphire (206)
  - Siam (208)
  - Silk (391)
  - Smoked Topaz (220)
  - Smoky Mauve (265)
  - Smoky Quartz (225)
  - Sunflower (292)
  - Tangerine (259)
  - Tanzanite (539)
  - Topaz (203)
  - Turquoise (267)
  - Vintage Rose (319)
  - Violet (371)
  - White Alabaster (281)
- ### Opal Colors
- Air Blue Opal (285)
  - Chrysolite Opal (294)
  - Cyclamen Opal (398)
  - Light Grey Opal (383)
  - Pacific Opal (390)
  - Rose Water Opal (395)
  - White Opal (234)
  - Yellow Opal (231)
- ### Crystal Effects
- #### Transparent Effects
- Crystal AB (001 AB)
  - Crystal AB 2x (001 AB2)
  - Crystal AB Satin (001 ABSAT)
  - Crystal Antique Pink (001 ANTP)
  - Crystal Astral Pink (001 API)
  - Crystal Blue Shade (001 BLSH)
  - Crystal Bronze Shade (001 BRSH)

# BEADS

5328	Size						
	2.5 mm	3 mm	4 mm	5 mm	6 mm	8 mm	10 mm
Crystal Copper (001 COP)		■	■	■	■		
Crystal Golden Shadow (001 GSHA)	■	■	■	■	■	■	
Crystal Heliotrope (001 HEL)		■	■				
Crystal Lilac Shadow (001 LISH)		■	■	■	■		
Crystal Luminous Green (001 LUMG)		■	■	■	■		
Crystal Moonlight (001 MOL)		■	■	■	■		
Crystal Paradise Shine (001 PARSH)		■	■	■	■		
Crystal Paradise Shine 2x (001 PARSH2)			■				
Crystal Red Magma (001 REDM)		■	■				
Crystal Satin (001 SAT)		■	■	■	■		
Crystal Silver Night (001 SINI)		■	■	■	■		
Crystal Silver Shade (001 SSHA)	■	■	■	■	■	■	
Crystal Vitrail Medium (001 VM)		■	■		■		
<b>Metallic Effects</b>							
Crystal CAL (001 CAL)		■	■	■	■		
Crystal Dorado 2x (001 DOR2)		■	■	■	■		
Crystal Iridescent Green (001 IRIG)		■	■	■	■		
Crystal Iridescent Green 2x (001 IRIG2)			■				
Crystal Light Chrome (001 LTCH)		■	■	■	■		
Crystal Light Chrome 2x (001 LTCH2)			■				
Crystal Metallic Blue 2x (001 METBL2)		■	■	■	■		
Crystal Metallic Light Gold 2x (001 MLG2)		■	■	■	■		
Crystal Metallic Sunshine (001 METSH)		■	■	■	■		
Crystal Metallic Sunshine 2x (001 METSH2)			■				
Crystal Rainbow Dark 2x (001 RBDK2)				■	■		
Crystal Rose Gold (001 ROGL)		■	■	■	■		
Crystal Rose Gold 2x (001 ROGL2)		■	■	■	■		
Crystal Scarabaeus Green*** (001 SCGR)		■	■	■	■		
<b>Color Effects</b>							
<b>Transparent Effects</b>							
Amethyst AB (204 AB)		■	■	■	■		
Amethyst AB 2x (204 AB2)			■				
Aquamarine AB (202 AB)		■	■	■	■		
Aquamarine AB 2x (202 AB2)			■				
Aquamarine Satin (202 SAT)			■				
Black Diamond AB (215 AB)		■	■	■	■		
Black Diamond AB 2x (215 AB2)			■				
Blue Zircon AB (229 AB)			■				
Blue Zircon AB 2x (229 AB2)				■			
Blush Rose AB (257 AB)			■				
Blush Rose AB 2x (257 AB2)				■			

5328	Size						
	2.5 mm	3 mm	4 mm	5 mm	6 mm	8 mm	10 mm
Capri Blue AB (243 AB)		■	■				
Capri Blue AB 2x (243 AB2)			■				
Chrysolite AB (238 AB)			■				
Chrysolite AB 2x (238 AB2)			■				
Emerald AB (205 AB)		■	■				
Emerald AB 2x (205 AB2)			■				
Erinite AB (360 AB)			■				
Fireopal AB (237 AB)			■				
Fireopal AB 2x (237 AB2)			■				
Fuchsia AB (502 AB)		■	■				
Fuchsia AB 2x (502 AB2)			■				
Graphite AB (253 AB)			■				
Graphite AB 2x (253 AB2)			■				
Hyacinth AB (236 AB)			■				
Hyacinth AB 2x (236 AB2)			■				
Indian Sapphire AB (217 AB)			■				
Indicolite AB (379 AB)			■			■	
Jet AB (280 AB)		■	■	■	■		
Jet AB 2x (280 AB2)		■	■	■	■		
Jonquil AB (213 AB)			■	■			
Jonquil AB 2x (213 AB2)			■	■			
Jonquil Satin (213 SAT)			■	■			
Light Amethyst AB (212 AB)		■	■				
Light Amethyst AB 2x (212 AB2)			■				
Light Azore AB (361 AB)			■				
Light Azore AB 2x (361 AB2)			■				
Light Colorado Topaz AB (246 AB)		■	■	■	■		
Light Colorado Topaz AB 2x (246 AB2)			■				
Light Peach AB (362 AB)			■				
Light Peach Satin (362 SAT)			■				
Light Rose AB (223 AB)		■	■	■	■		
Light Rose AB 2x (223 AB2)			■				
Light Rose Satin (223 SAT)			■				
Light Sapphire AB (211 AB)		■	■				
Light Sapphire AB 2x (211 AB2)			■				
Light Siam AB (227 AB)		■	■	■	■		
Light Siam AB 2x (227 AB2)			■				
Light Siam Satin (227 SAT)			■				
Light Smoked Topaz AB (221 AB)			■				
Light Topaz AB (226 AB)			■				
Light Topaz AB 2x (226 AB2)			■				

\*\*\* designed by Jean Paul Gaultier

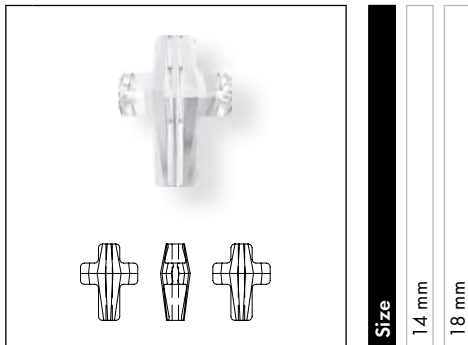
# BEADS

03 BEADS

	Size	2.5 mm	3 mm	4 mm	5 mm	6 mm	8 mm	10 mm
5328								
Montana AB (207 AB)			■	■				
Montana AB 2x (207 AB2)				■				
Olivine AB (228 AB)			■	■				
Pacific Opal AB 2x (390 AB2)				■				
Peridot AB (214 AB)				■				
Peridot AB 2x (214 AB2)				■				
Purple Velvet AB (277 AB)				■				
Rose AB (209 AB)			■	■	■	■		
Rose AB 2x (209 AB2)				■				
Rose Satin (209 SAT)				■				
Rose Water Opal AB 2x (395 AB2)				■				
Ruby AB (501 AB)				■				
Sapphire AB (206 AB)			■	■				
Sapphire AB 2x (206 AB2)				■				
Siam AB (208 AB)				■	■			
Siam AB 2x (208 AB2)				■				
Smoked Topaz AB (220 AB)				■				
Smoky Mauve AB (265 AB)				■				
Smoky Mauve AB 2x (265 AB2)				■				
Tangerine AB (259 AB)				■				
Tangerine AB 2x (259 AB2)				■				
Tanzanite AB (539 AB)			■	■	■	■		
Tanzanite AB 2x (539 AB2)				■				
Topaz AB (203 AB)				■				
Topaz AB 2x (203 AB2)				■				
Turquoise AB (267 AB)			■	■				
Turquoise AB 2x (267 AB2)				■				
Violet AB (371 AB)			■	■		■		
Violet AB 2x (371 AB2)				■				
White Alabaster AB 2x (281 AB2)				■				
White Opal AB (234 AB)			■	■				
White Opal AB 2x (234 AB2)				■				
Yellow Opal AB (231 AB)				■				
Yellow Opal AB 2x (231 AB2)				■				
<b>Metallic Effects</b>								
Jet Hematite (280 HEM)			■	■	■	■		
Jet Hematite 2x (280 HEM2)			■	■	■	■		

# BEADS

## 5378 Cross Bead



### Crystal

Crystal (001)

### Colors

#### Plain Colors

Jet (280)

Light Turquoise (263)

Smoky Mauve (265)

### Crystal Effects

#### Transparent Effects

Crystal AB (001 AB)

Crystal Astral Pink (001 API)

Crystal Golden Shadow (001 GSHA)

Crystal Lilac Shadow (001 LISH)

Crystal Paradise Shine (001 PARSH)

Crystal Silver Night (001 SINI)

Crystal Silver Night 2x (001 SINI2)

Crystal Silver Shade (001 SSHA)

#### Metallic Effects

Crystal Iridescent Green (001 IRIG)

Crystal Metallic Light Gold 2x (001 MLG2)

Crystal Rose Gold 2x (001 ROGL2)

#### Crystal Patina Effect

Crystal Black Patina (001 BLAPA)

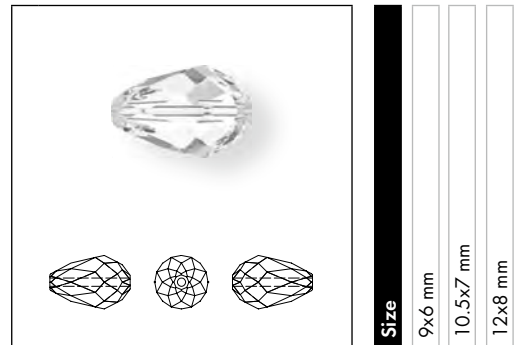
Crystal Gold Patina (001 GOLPA)

Crystal Rose Patina (001 ROSPA)

Crystal Silver Patina (001 SILPA)

Crystal White Patina (001 WHIPA)

## 5500



### Crystal

Crystal (001)

### Colors

#### Plain Colors

Jet (280)

Siam (208)

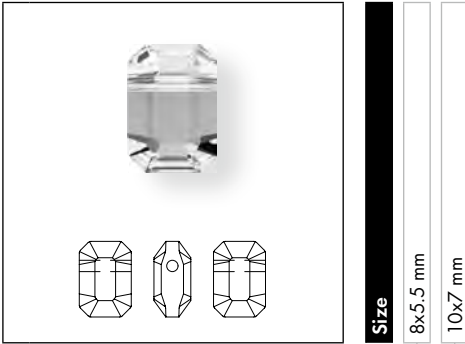
### Crystal Effects

#### Transparent Effects

Crystal AB (001 AB)

BEADS

5514 Pendulum Bead



Size

8x5.5 mm

10x7 mm

Crystal

Crystal (001)

Colors

Plain Colors

Emerald (205)

Jet (280)

Smoky Quartz (225)

Opal Colors

Rose Water Opal (395)

White Opal (234)

Crystal Effects

Transparent Effects

Crystal AB (001 AB)

Crystal Paradise Shine (001 PARSH)

Crystal Silver Night (001 SINI)

Metallic Effects

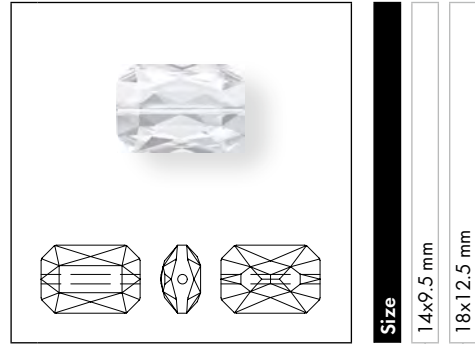
Crystal Metallic Sunshine (001 METSH)

Crystal Patina Effect

Crystal Gold Patina (001 GOLPA)

Crystal White Patina (001 WHIPA)

5515 Emerald Cut Bead



Size

14x9.5 mm

18x12.5 mm

Crystal

Crystal (001)

Colors

Plain Colors

Amethyst (204)

Aquamarine (202)

Blush Rose (257)

Emerald (205)

Jet (280)

Rosaline (508)

Smoky Quartz (225)

Opal Colors

White Opal (234)

Crystal Effects

Transparent Effects

Crystal AB (001 AB)

Crystal Golden Shadow (001 GSHA)

Crystal Paradise Shine (001 PARSH)

Metallic Effects

Crystal Metallic Sunshine (001 METSH)

Crystal Patina Effect

Crystal Gold Patina (001 GOLPA)

# BEADS

## 5523 Cosmic Bead



Size  
12 mm  
16 mm

### Crystal

Crystal (001)

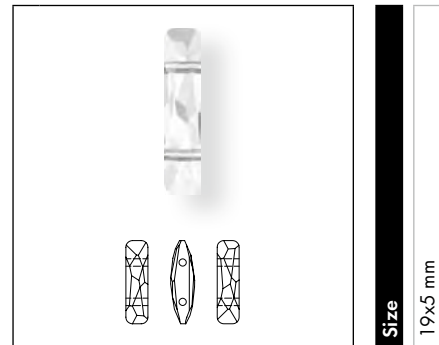
### Crystal Effects

#### Transparent Effects

Crystal AB (001 AB)

Crystal Golden Shadow (001 GSHA)

## 5535 Column Bead (two holes)



Size  
19x5 mm

### Crystal

Crystal (001)

### Crystal Effects

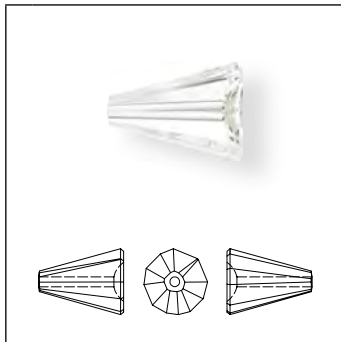
#### Transparent Effects

Crystal AB (001 AB)

#### Metallic Effects

Crystal Rose Gold (001 ROGL)

## 5540 Artemis Bead



Size  
12 mm  
17 mm

### Crystal

Crystal (001)

### Colors

#### Plain Colors

Amethyst (204)

Aquamarine (202)

Dark Indigo (288)

Jet (280)

### Crystal Effects

#### Transparent Effects

Crystal AB (001 AB)

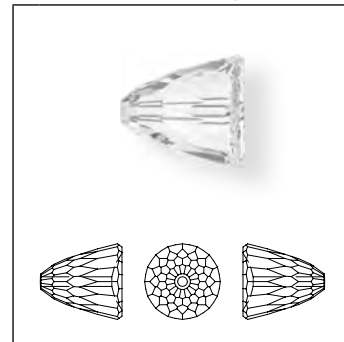
Crystal Golden Shadow (001 GSHA)

#### Color Effects

#### Metallic Effects

Jet Hematite (280 HEM)

## 5541 Dome Bead large



Size  
11 mm  
15 mm

### Crystal

Crystal (001)

### Colors

#### Plain Colors

Blush Rose (257)

Smoky Mauve (265)

### Crystal Effects

#### Transparent Effects

Crystal AB (001 AB)

Crystal Antique Pink (001 ANTP)

Crystal Blue Shade (001 BLSH)

Crystal Golden Shadow (001 GSHA)

Crystal Paradise Shine (001 PARSH)

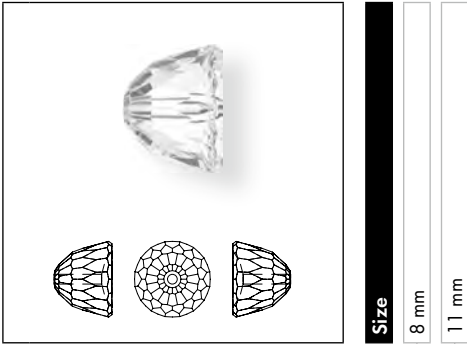
#### Metallic Effects

Crystal Metallic Sunshine (001 METSH)



# BEADS

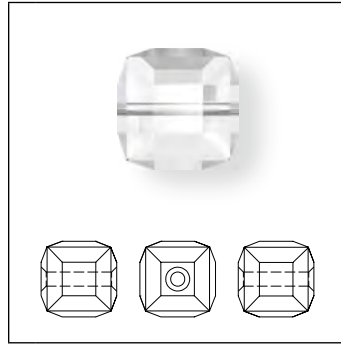
## 5542 Dome Bead small



Size  
8 mm  
11 mm

Crystal	
<input type="checkbox"/>	Crystal (001)
Colors	
Plain Colors	
<input type="checkbox"/>	Blush Rose (257)
<input type="checkbox"/>	Smoky Mauve (265)
Crystal Effects	
Transparent Effects	
<input type="checkbox"/>	Crystal AB (001 AB)
<input type="checkbox"/>	Crystal Antique Pink (001 ANTP)
<input type="checkbox"/>	Crystal Blue Shade (001 BLSH)
<input type="checkbox"/>	Crystal Golden Shadow (001 GSHA)
<input type="checkbox"/>	Crystal Paradise Shine (001 PARSH)
Metallic Effects	
<input type="checkbox"/>	Crystal Metallic Sunshine (001 METSH)

## 5601

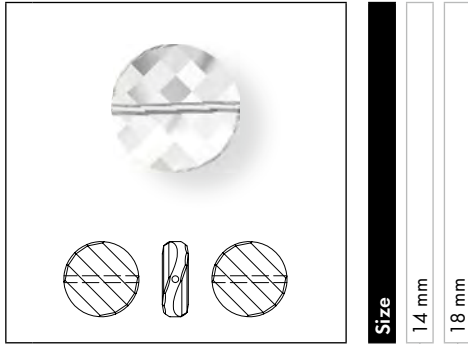


Size  
4 mm  
6 mm  
8 mm  
10 mm  
12 mm

Crystal	
<input type="checkbox"/>	Crystal (001)
Colors	
Plain Colors	
<input type="checkbox"/>	Amethyst (204)
<input type="checkbox"/>	Aquamarine (202)
<input type="checkbox"/>	Blush Rose (257)
<input type="checkbox"/>	Emerald (205)
<input type="checkbox"/>	Fuchsia (502)
<input type="checkbox"/>	Jet (280)
<input type="checkbox"/>	Light Siam (227)
<input type="checkbox"/>	Light Topaz (226)
<input type="checkbox"/>	Light Turquoise (263)
<input type="checkbox"/>	Peridot (214)
<input type="checkbox"/>	Sapphire (206)
<input type="checkbox"/>	Siam (208)
<input type="checkbox"/>	Tangerine (259)
<input type="checkbox"/>	Tanzanite (539)
<input type="checkbox"/>	Topaz (203)
Crystal Effects	
Transparent Effects	
<input type="checkbox"/>	Crystal AB B (001 ABB)
<input type="checkbox"/>	Crystal Blue Shade B (001 BLSHB)
<input type="checkbox"/>	Crystal Golden Shadow B (001 GSHAB)
<input type="checkbox"/>	Crystal Lilac Shadow B (001 LISHB)
<input type="checkbox"/>	Crystal Luminous Green B (001 LUMGB)
<input type="checkbox"/>	Crystal Paradise Shine B (001 PARSHB)
<input type="checkbox"/>	Crystal Silver Night B (001 SINIB)
<input type="checkbox"/>	Crystal Vitrail Medium B (001 VMB)
Metallic Effects	
<input type="checkbox"/>	Crystal Light Chrome B (001 LTCHB)
<input type="checkbox"/>	Crystal Metallic Sunshine (001 METSH)
<input type="checkbox"/>	Crystal Rose Gold B (001 ROGLB)
<input type="checkbox"/>	Crystal Rose Gold B 2x (001 ROGL2B)

# BEADS

## 5621 Twist Bead



### Crystal

Crystal (001)

### Colors

#### Plain Colors

Amethyst (204)

Aquamarine (202)

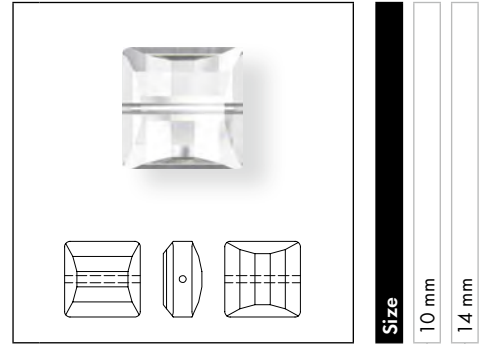
Black Diamond (215)

### Crystal Effects

#### Transparent Effects

Crystal Golden Shadow (001 GSHA)

## 5624 Stairway Bead



### Crystal

Crystal (001)

### Crystal Effects

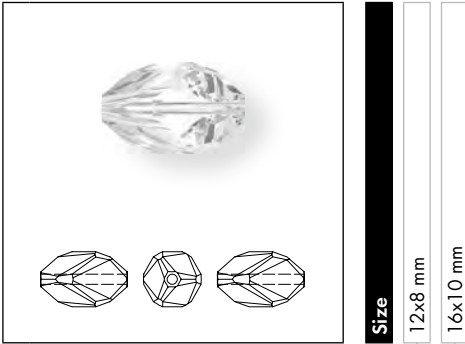
#### Transparent Effects

Crystal AB (001 AB)

Crystal Golden Shadow (001 GSHA)

BEADS

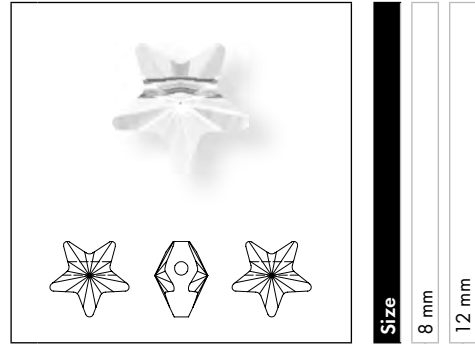
5650 Cubist Bead



Size  
12x8 mm  
16x10 mm

- Crystal**
- Crystal (001)
- Crystal Effects**
- Transparent Effects**
- Crystal AB (001 AB)
- Crystal Golden Shadow (001 GSHA)

5714 Star Bead



Size  
8 mm  
12 mm

- Crystal**
- Crystal (001)
- Crystal Effects**
- Transparent Effects**
- Crystal AB (001 AB)
- Crystal Golden Shadow (001 GSHA)

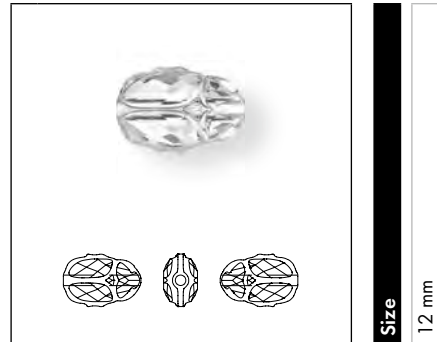
5727 Fish Bead



Size  
14 mm

- Crystal**
- Crystal (001)
- Crystal Effects**
- Transparent Effects**
- Crystal AB (001 AB)
- Crystal Golden Shadow (001 GSHA)

5728 Scarab Bead



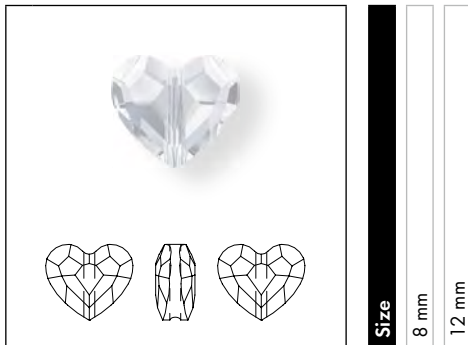
Size  
12 mm

- Crystal**
- Crystal (001)
- Colors**
- Plain Colors**
- Amethyst (204)
- Aquamarine (202)
- Emerald (205)
- Jet (280)
- Crystal Effects**
- Transparent Effects**
- Crystal AB (001 AB)
- Crystal Golden Shadow (001 GSHA)
- Crystal Silver Night (001 SINI)
- Metallic Effects**
- Crystal Metallic Sunshine (001 METSH)
- Crystal Scarabaeus Green\*\*\* (001 SCGR)
- Crystal Scarabaeus Green\*\*\* 2x (001 SCGR2)

\*\*\* designed by Jean Paul Gaultier

# BEADS

## 5741 Love Bead



### Crystal

Crystal (001)

### Colors

#### Plain Colors

Blush Rose (257)

Fuchsia (502)

Jet (280)

Light Siam (227)

Light Silk (261)

Rose (209)

### Crystal Effects

#### Transparent Effects

Crystal AB (001 AB)

Crystal Antique Pink (001 ANTP)

Crystal Golden Shadow (001 GSHA)

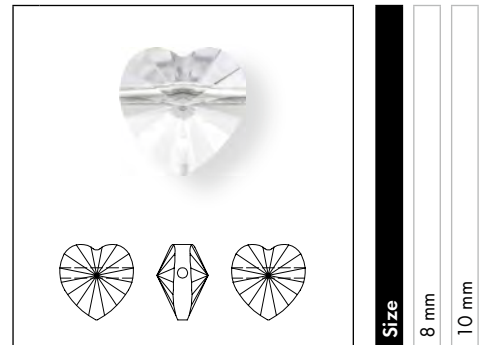
Crystal Paradise Shine (001 PARSH)

Crystal Silver Night 2x (001 SINI2)

#### Metallic Effects

Crystal Metallic Sunshine (001 METSH)

## 5742 Heart Bead



### Crystal

Crystal (001)

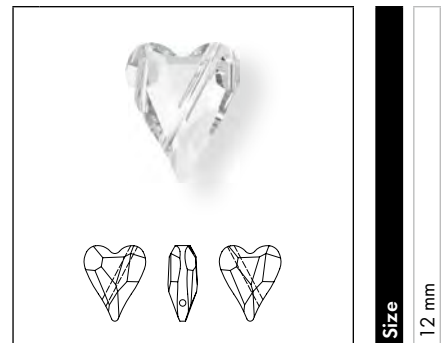
### Crystal Effects

#### Transparent Effects

Crystal AB (001 AB)

Crystal Golden Shadow (001 GSHA)

## 5743 Wild Heart Bead



### Crystal

Crystal (001)

### Colors

#### Plain Colors

Siam (208)

### Crystal Effects

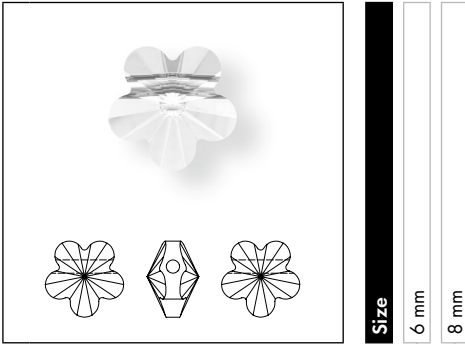
#### Transparent Effects

Crystal AB (001 AB)

Crystal Golden Shadow (001 GSHA)

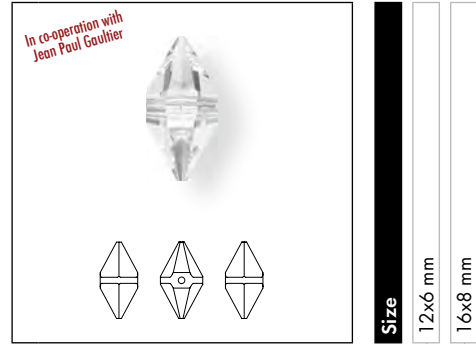
BEADS

5744 Flower Bead



Crystal	
Crystal (001)	
Crystal Effects	
Transparent Effects	
Crystal AB (001 AB)	

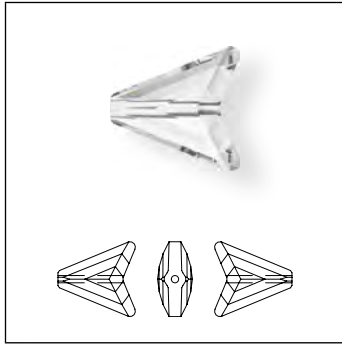
5747 Double Spike Bead



Crystal	
Crystal (001)	
Colors	
Plain Colors	
Jet (280)	
Light Turquoise (263)	
Crystal Effects	
Transparent Effects	
Crystal AB (001 AB)	
Crystal Astral Pink (001 API)	
Crystal Golden Shadow (001 GSHA)	
Crystal Lilac Shadow (001 LISH)	
Crystal Luminous Green (001 LUMG)	
Crystal Paradise Shine (001 PARSH)	
Crystal Silver Night (001 SINI)	
Crystal Silver Night 2x (001 SINI2)	
Crystal Silver Shade (001 SSHA)	
Metallic Effects	
Crystal Iridescent Green (001 IRIG)	
Crystal Metallic Blue 2x (001 METBL2)	
Crystal Metallic Light Gold 2x (001 MLG2)	
Crystal Metallic Sunshine (001 METSH)	
Crystal Rose Gold 2x (001 ROGL2)	

# BEADS

## 5748 Arrow Bead



Size

12 mm

16 mm

### Crystal

Crystal (001)

### Colors

#### Plain Colors

Jet (280)

Light Turquoise (263)

Smoky Mauve (265)

### Crystal Effects

#### Transparent Effects

Crystal AB (001 AB)

Crystal Astral Pink (001 API)

Crystal Golden Shadow (001 GSHA)

Crystal Paradise Shine (001 PARSH)

Crystal Red Magma (001 REDM)

Crystal Silver Night (001 SINI)

Crystal Silver Night 2x (001 SINI2)

Crystal Silver Shade (001 SSHA)

#### Metallic Effects

Crystal Iridescent Green (001 IRIG)

Crystal Metallic Light Gold 2x (001 MLG2)

Crystal Rose Gold 2x (001 ROGL2)

#### Crystal Patina Effect

Crystal Black Patina (001 BLAPA)

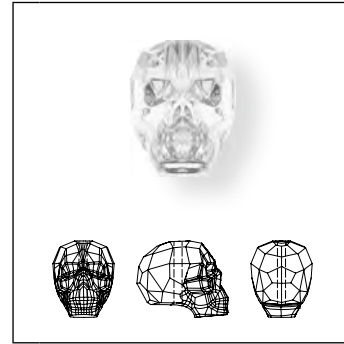
Crystal Gold Patina (001 GOLPA)

Crystal Rose Patina (001 ROSPA)

Crystal Silver Patina (001 SILPA)

Crystal White Patina (001 WHIPA)

## 5750 Skull Bead



Size

13 mm

19 mm

### Crystal

Crystal (001)

### Colors

#### Plain Colors

Denim Blue (266)

Jet (280)

### Crystal Effects

#### Transparent Effects

Crystal AB (001 AB)

Crystal Astral Pink (001 API)

Crystal Golden Shadow (001 GSHA)

Crystal Luminous Green (001 LUMG)

Crystal Paradise Shine (001 PARSH)

Crystal Red Magma (001 REDM)

Crystal Silver Night (001 SINI)

Crystal Silver Night 2x (001 SINI2)

#### Metallic Effects

Crystal Iridescent Green (001 IRIG)

Crystal Light Chrome (001 LTCH)

Crystal Light Chrome 2x (001 LTCH2)

Crystal Metallic Blue 2x (001 METBL2)

Crystal Metallic Light Gold 2x (001 MLG2)

Crystal Metallic Sunshine (001 METSH)

Crystal Rose Gold 2x (001 ROGL2)

#### Crystal Patina Effect

Crystal Black Patina (001 BLAPA)

Crystal Gold Patina (001 GOLPA)

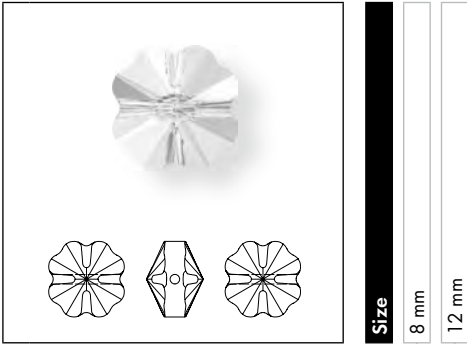
Crystal Rose Patina (001 ROSPA)

Crystal Silver Patina (001 SILPA)

Crystal White Patina (001 WHIPA)

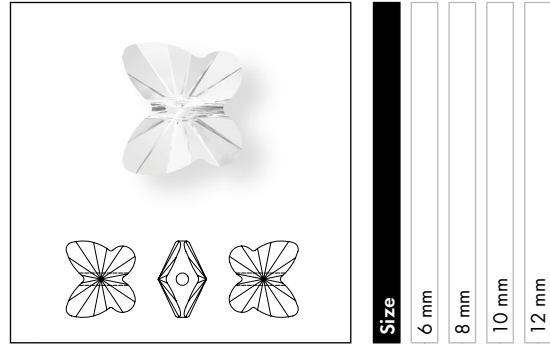
BEADS

5752 Clover Bead



<b>Crystal</b>		
Crystal (001)	■	■
<b>Colors</b>		
<b>Plain Colors</b>		
Light Siam (227)	■	
Peridot (214)	■	■
<b>Crystal Effects</b>		
<b>Transparent Effects</b>		
Crystal AB (001 AB)	■	■
Crystal Golden Shadow (001 GSHA)	■	■
<b>Metallic Effects</b>		
Crystal Metallic Sunshine (001 METSH)	■	■

5754 Butterfly Bead



<b>Crystal</b>				
Crystal (001)	■	■	■	■
<b>Colors</b>				
<b>Plain Colors</b>				
Aquamarine (202)	■	■	■	
Blush Rose (257)	■	■	■	■
Fuchsia (502)	■	■	■	■
Jet (280)	■	■	■	■
Jonquil (213)	■	■	■	■
Light Rose (223)	■	■	■	■
Light Siam (227)	■	■	■	■
Peridot (214)	■	■	■	■
Smoky Mauve (265)	■	■	■	■
Violet (371)	■	■	■	■
<b>Crystal Effects</b>				
<b>Transparent Effects</b>				
Crystal AB (001 AB)	■	■	■	■
Crystal Golden Shadow (001 GSHA)	■	■	■	■
Crystal Paradise Shine (001 PARSH)	■	■	■	■
<b>Metallic Effects</b>				
Crystal Metallic Sunshine (001 METSH)	■	■	■	■

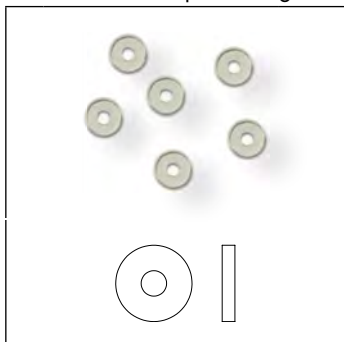
# BEADS

## COMPLEMENTARY PRODUCTS

These protective plastic spacer rings are recommended for use between Beads, increasing the durability of the designs and enabling the use of larger Beads and more complex

cuts. Please order art. 7800 № 646 with Sys.no. 977980 (packing unit = 100 pcs) and art. 7800 № 647 with Sys. no. 977981 (packing unit = 1,000 pcs).

### 7800 Protective Spacer Rings



<b>C</b>	Transparent	
<b>S</b>	3 mm (hole 1 mm)	
<b>M</b>	100 PCS (№ 646)	
	1,000 PCS (№ 647)	<b>150%</b>



# BEADS

## PRODUCT DETAILS

03 BEADS

Article Size	Packing Unit = Minimum Order Quantity in Pieces	Average Net Weight in Grams per Packing Unit Crystal (001)	Average Gross Weight in Grams per Packing Unit Crystal (001)
<b>5000</b>			
2 mm	1,440	11.5	20.8
3 mm	720	23.6	33.4
4 mm	720	53.5	62.6
5 mm	720	105.3	116.3
6 mm	360	81.6	92.5
7 mm	288	126.2	159.2
8 mm	288	193.5	200.8
10 mm	144	180.6	199.4
12 mm	72	144.2	166.1
14 mm	72	247.1	280.5
16 mm	48	252.3	296.6
18 mm	24	168.7	185.9
20 mm	12	123.5	142.9
<b>5003</b>			
6 mm	360	109.9	120.8
8 mm	144	100.4	118.6
10 mm	144	195.9	219.2
12 mm	72	158.5	179.2
14 mm	48	172.4	193.0
<b>5005</b>			
8 mm	216	145.4	172.1
12 mm	72	154.3	175.4
16 mm	24	122.1	146.7
<b>5020</b>			
6 mm	360	74.5	85.2
8 mm	288	146.6	178.2
10 mm	144	116.4	139.2
<b>5028/4</b>			
6 mm	360	75.791	83.4
8 mm	144	74.714	85.6
10 mm	72	70.763	76.5
<b>5040</b>			
4 mm	720	41.3	50.4
6 mm	360	71.8	82.9
8 mm	288	135.6	163.7
12 mm	144	214.4	242.4
18 mm	24	121.4	140.2
<b>5041</b>			
18 mm	24	114.2	133.0
<b>5045</b>			
4 mm	540	36.01	46.3
6 mm	288	60.7	70.9
8 mm	216	117.5	145.9
<b>5050</b>			
14x10 mm	72	66.3	86.7
22x16 mm	36	90.4	115.6
<b>5051</b>			
8x6 mm	288	67.2	76.4
10x8 mm	144	50.8	74.9
<b>5052</b>			
6 mm	288	52.1	60.6
8 mm	144	42.3	65.8

# BEADS

Article Size	Packing Unit = Minimum Order Quantity in Pieces	Average Net Weight in Grams per Packing Unit Crystal (001)	Average Gross Weight in Grams per Packing Unit Crystal (001)
<b>5053</b>			
6 mm	288	49.7	58.9
8 mm	144	54.4	71.820
<b>5054</b>			
6 mm	288	40.0	49.1
8 mm	144	43.3	64.4
<b>5055</b>			
8x6 mm	144	39.5	60.5
10x8 mm	72	32.8	49.7
<b>5056</b>			
10x6 mm	144	41.7	62.7
12x8 mm	96	46.0	67.0
<b>5139</b>			
12.5 mm	48	44.6	61.8
<b>5181</b>			
13x7 mm	144	72.3	94.6
17x9 mm	48	52.2	72.2
<b>5200</b>			
6x4 mm	360	44.1	53.2
7.5x5 mm	360	80.0	91.0
<b>5305</b>			
5 mm	720	52.7	63.9
6 mm	360	50.5	61.4
<b>5308</b>			
6 mm	360	54.4	65.4
<b>5328</b>			
2.5 mm	1,440	23.8	31.4
3 mm	1,440	34.1	45.2
4 mm	1,440	81.8	89.2
5 mm	720	89.3	100.0
6 mm	360	73.7	84.6
8 mm	288	141.8	173.4
10 mm	144	140.4	154.0
<b>5378</b>			
14 mm	72	55.6	83.87
18 mm	48	81.7	103.06
<b>5500</b>			
9x6 mm	144	59.0	69.9
10.5x7 mm	144	88.8	109.6
12x8 mm	144	144.0	164.1
<b>5514</b>			
8x5.5 mm	144	72.7	67.8
10x7 mm	96	48.9	70.7
<b>5515</b>			
14x9.5 mm	36	36.3	56.5
18x12.5 mm	24	52.1	74.2
<b>5523</b>			
12 mm	144	143.2	173.6
16 mm	72	156.1	194.7
<b>5535</b>			
19x5 mm	72	60.3	85.5

# BEADS

03 BEADS

Article Size	Packing Unit = Minimum Order Quantity in Pieces	Average Net Weight in Grams per Packing Unit Crystal (001)	Average Gross Weight in Grams per Packing Unit Crystal (001)
<b>5540</b>			
12 mm	72	62.1	86.7
17 mm	48	108.9	133.5
<b>5541</b>			
11 mm	96	105.6	129.3
15 mm	48	126.2	146.2
<b>5542</b>			
8 mm	96	81.4	102.9
11 mm	48	97.6	118.6
<b>5601</b>			
4 mm	288	43.9	65.2
6 mm	144	70.6	88.9
8 mm	96	100.2	118.4
10 mm	72	138.0	156.5
12 mm	36	129.6	147.7
<b>5621</b>			
14 mm	96	168.7	202.1
18 mm	72	253.1	283.8
<b>5624</b>			
10 mm	108	117.51	134.2
14 mm	72	174.77	204.5
<b>5650</b>			
12x8 mm	144	108.1	131.9
16x10 mm	72	138.0	153.9
<b>5714</b>			
8 mm	288	73.3	102.1
12 mm	108	72.3	102.2
<b>5727</b>			
14 mm	108	72.3	105.4
<b>5728</b>			
12 mm	96	59.5	85.1
<b>5741</b>			
8 mm	144	43.3	66.24
12 mm	72	66.2	89.58
<b>5742</b>			
8 mm	288	120.5	154.5
10 mm	288	233.1	266.5
<b>5743</b>			
12 mm	108	72.2	96.96
<b>5744</b>			
6 mm	360	47.4	58.1
8 mm	288	80.2	112.3
<b>5747</b>			
12x6 mm	144	64.4	81.2
16x8 mm	96	104.8	124.4
<b>5748</b>			
12 mm	72	52.1	74.5
16 mm	48	86.2	109.5

# BEADS

Article Size	Packing Unit = Minimum Order Quantity in Pieces	Average Net Weight in Grams per Packing Unit Crystal (001)	Average Gross Weight in Grams per Packing Unit Crystal (001)
<b>5750</b>			
13 mm	12	24.2	43.8
19 mm	12	73.7	100.0
<b>5752</b>			
8 mm	288	106.1	136.9
12 mm	96	117.7	137.5
<b>5754</b>			
6 mm	360	42.3	53.0
8 mm	288	77.9	109.8
10 mm	288	156.9	188.9
12 mm	144	136.7	168.9
<b>7800</b>			
Nº 646	100	-	-
Nº 647	1,000	-	-

# SWAROVSKI

## CERTIFICATE

meets the high standards set by Swarovski® and has therefore been certified as a

**SWAROVSKI**

AUTHORIZED WHOLESALER

### **This Authorized Wholesaler offers you:**

- An extensive selection of high quality Swarovski crystals
- Good product knowledge on the brand Swarovski
- Flexibility and professionalism in customer service

The staff of this Authorized Wholesaler will be happy to inform you about Swarovski and the latest brand and presentation materials.

The certification is based on a sustainable business relationship with Swarovski and on the agreement of defined standards.



DATE AND PLACE OF ISSUE

EXPIRY DATE

SWAROVSKI

Swarovski's suggestions for Authorized Wholesalers are recommendations based on Swarovski's actual experience, current knowledge, and the information provided by the Authorized Wholesaler. Such advice does not prevent you from carrying out your own audits, examination, and selection. The selection of an Authorized Wholesaler is solely the customer's responsibility.